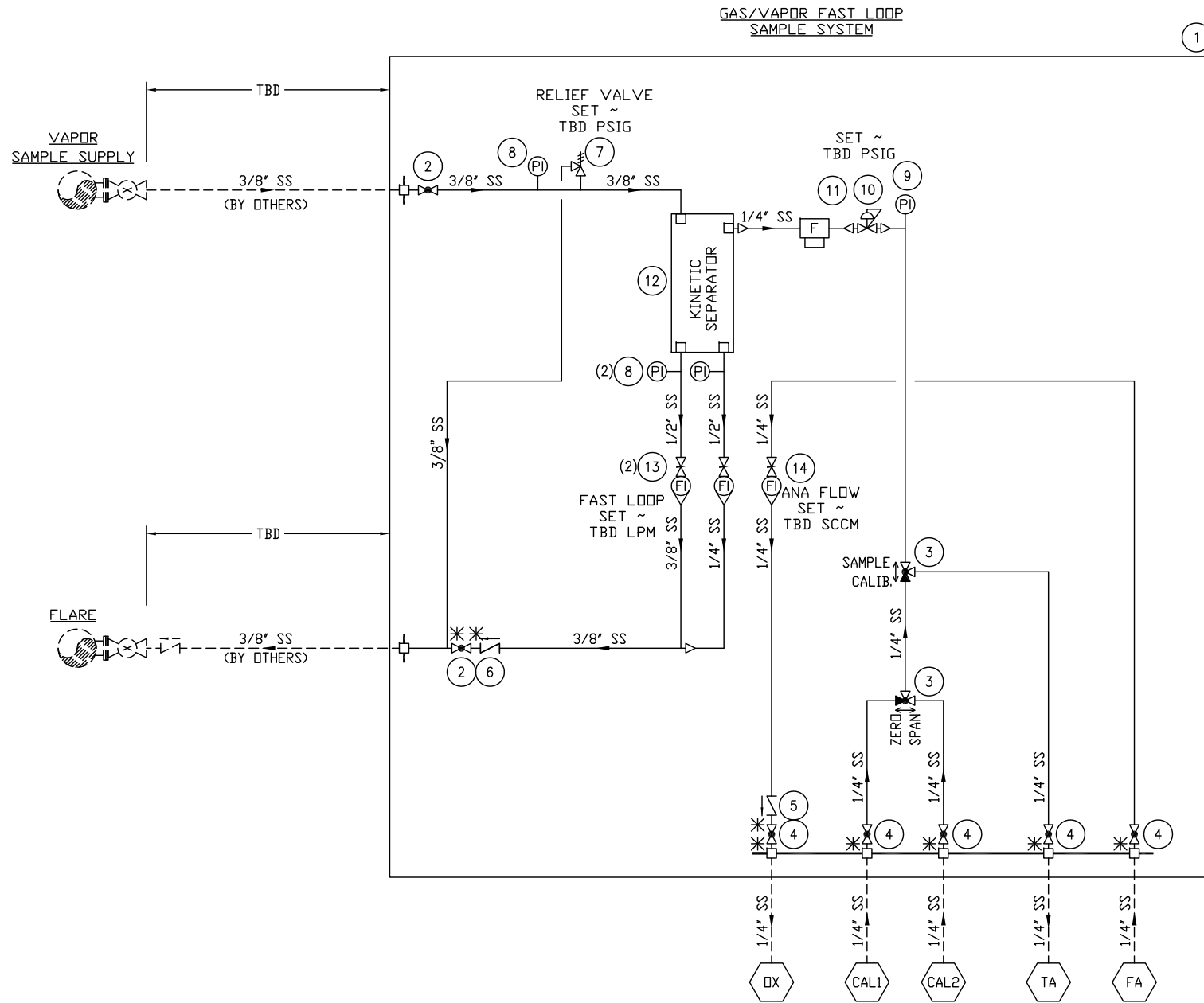


BILL OF MATERIAL

ITEM	QTY	DESCRIPTION	MANUFACTURER	PART NUMBER
1	1	PLATE, ALUMINUM, 36" H X 30" W X 3/16" THICK	-	-
2	2	VALVE, BALL, 3/8" TF (SS)	-	-
3	2	VALVE, BALL, 3-WAY, 1/4" TF (SS)	-	-
4	5	VALVE, BALL, 1/4" TF (SS)	-	-
5	1	VALVE, CHECK, 1/3 PSIG, 1/4" TF (SS)	-	-
6	1	VALVE, CHECK, 1/3 PSIG, 3/8" TF (SS)	-	-
7	1	VALVE, RELIEF, ADJUSTABLE, 3/8" TF (SS)	-	-
8	3	GAUGE, PRESS., (2.5",GF), 100 PSIG, 1/4"TF-CBM (SS)	-	-
9	1	GAUGE, PRESS., (2.5",GF), 60 PSIG, 1/4"TF-CBM (SS)	-	-
10	1	REGULATOR, PRESS., 0-50 PSIG, 1/4"NPT-F, (SS)	-	-
11	1	FILTER, 2. MICRON 2-1/4" ELEMENT, 1/4" NPT-F (SS)	-	-
12	1	KINETIC SEPARATOR, 12" FOR VAPOR SERVICE (SS)	SHEFFIELD	SS1200GF
13	2	FLOW METER W/VALVE, (GLASS), TBD GPH, 1/4"NPT-F (SS)	-	-
14	1	FLOW METER W/VALVE, (GLASS), 30SCCM, 1/4"NPT-F (SS)	-	-



FILED CONNECTION LEGEND

- ⬡ CAL1 - VAPOR CALIBRATION 1
- ⬡ CAL2 - VAPOR CALIBRATION 2
- ⬡ TA - SAMPLE TO ANALYZER
- ⬡ FA - SAMPLE FROM ANALYZER
- ⬡ FL - FLARE
- ⬡ OX - OXIDIZER

TUBE CONNECTION LEGEND

- ⊥ - BULKHEAD FITTING
- ▷ - REDUCE TUBE SIZE
- * - CLOSE COUPLE (AS SHORT AS PRACTICAL)

SAMPLE SYSTEM NOTES

1. TUBING SHALL BE TYPE 316 SEAMLESS, BRIGHT ANNEALED, STAINLESS STEEL WITH O.D. AS SHOWN AND WALL THICKNESS AS FOLLOWS:
 1/4" O.D. - 0.028" WALL
 1/4" O.D. - 0.035" WALL
 3/8" O.D. - 0.035" WALL
 1/2" O.D. - 0.049" WALL
2. TUBE FITTINGS SHALL BE 316 STAINLESS STEEL.
3. ALL MOUNTING HARDWARE (NUTS, BOLTS, WASHERS, ETC.) TO BE 316SS.
4. TUBING SHALL BE CUT SQUARE, REAMED TO THE INSIDE DIAMETER, AND FILED SMOOTH WITH NO BURRS OR SHARP EDGES. TUBING SHALL BE BLOWN CLEAN WITH DRY AIR TO REMOVE FILINGS AFTER CUTTING.
5. COMPONENTS SHALL BE INSTALLED WITH FRONT ACCESS ONLY TO ALLOW CONVENIENT REMOVAL.
6. NPT CONNECTIONS TO COMPONENTS SHALL BE MADE WITH TEFLON TAPE.
7. TUBING SHALL TERMINATE AT BULKHEAD FITTINGS.
8. TUBING SHALL BE SUPPORTED TO PREVENT DAMAGE (MAX. SPAN OF 3 FEET) BUT ALLOW CONVENIENT ACCESS FOR REMOVAL OF COMPONENTS.

NOTE:
 THIS DRAWING IS FOR REFERENCE ONLY AND SHOULD NOT BE USED FOR FABRICATION. CONSULT A ANALYZER SYSTEMS ENGINEER FOR SPECIFIC APPLICATIONS AND REQUIREMENTS.

REV.	DESCRIPTION	BY	CHK	APP.	DATE	TITLE	
A	ISSUE FOR REFERENCE	X	X	X	1/08	GAS/VAPOR FAST LOOP SCHEMATIC	
SHEFFIELD SEPARATOR						JOB. NO.	SCALE
						0801	N.T.S.
SHEFFIELD SEPARATOR						DWG. NO.	REVISION
						0801-01-502	A